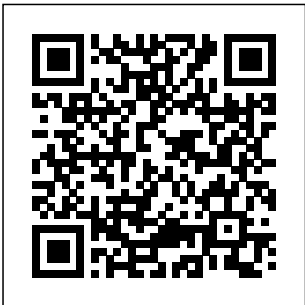


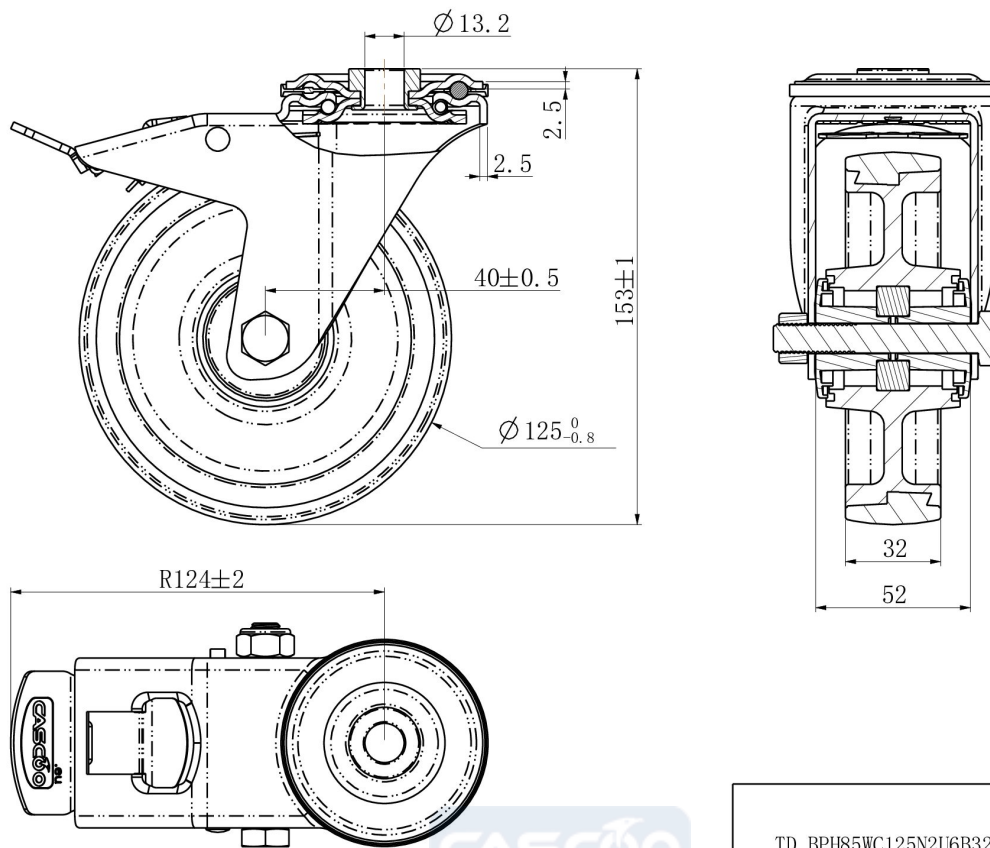
CASTOR BPH85WC125N2U6B32



Product SKU	BPH85WC125N2U6B32
Standard Compliance	DIN EN 12532
Series	N2U6
Fastening	Bolt fastening
Brake and Direction	back brake
Material of the Wheel	polyamide (PA) wheel center
Tread	polyurethane (PU) tread
Temperature range	-40°C to +80°C
Wheel Diameter	125mm
Load Capacity	160kg
Total Hight	154mm
Width of Tread	32mm
wheel hub Width	50mm
Offset	45mm
Fastening Bolt Hole Diameter	13mm
Swivel Radius	127mm
Wheel Bolt Size	M10
Bushing Diameter	10mm
Weight	0.92kg
Wheel Bearing	ball bearing
Rubber Shore	95° Shore A



CASTOR BPH85WC125N2U6B32



TD_BPH85WC125N2U6B32		
load capacity	150KG	