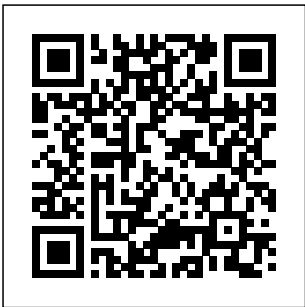


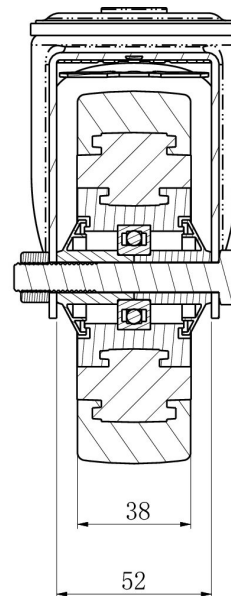
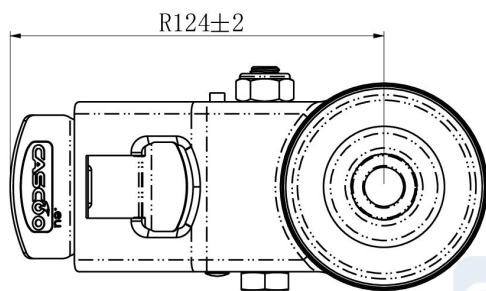
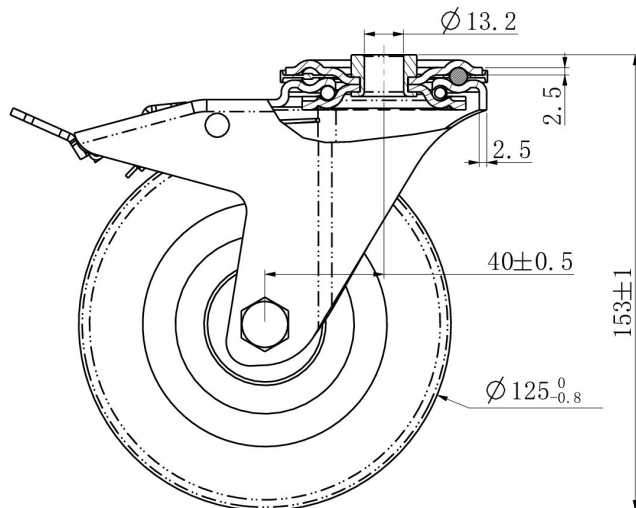
CASTOR BPH85WC125M6N2B32




Product SKU	BPH85WC125M6N2B32
Standard Compliance	DIN EN 12532
Series	M6N2
Fastening	Bolt fastening
Brake and Direction	back brake
Material of the Wheel	polyamide (PA) wheel center
Tread	polyamide (PA) tread
Temperature range	-20°C to +80°C
Wheel Diameter	125mm
Load Capacity	200kg
Total Hight	154mm
Width of Tread	36mm
wheel hub Width	40mm
Offset	45mm
Fastening Bolt Hole Diameter	13mm
Swivel Radius	127mm
Wheel Bolt Size	M10
Bushing Diameter	10mm
Wheel Bearing	ball bearing



CASTOR BPH85WC125M6N2B32



TD_BPH85WC125M6N2B32		
load capacity	160KG	