

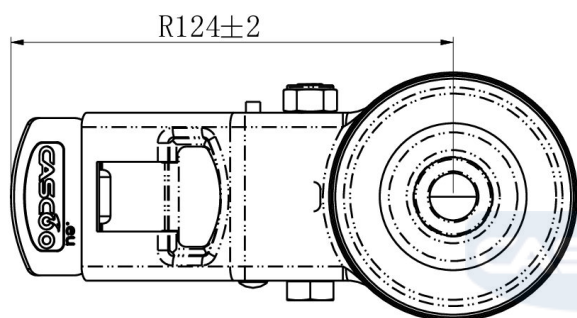
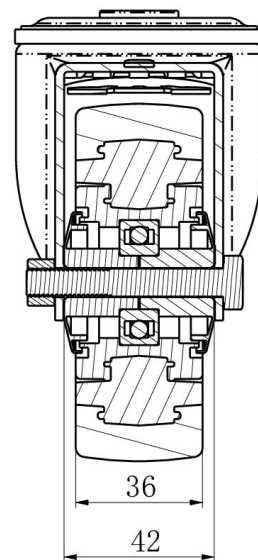
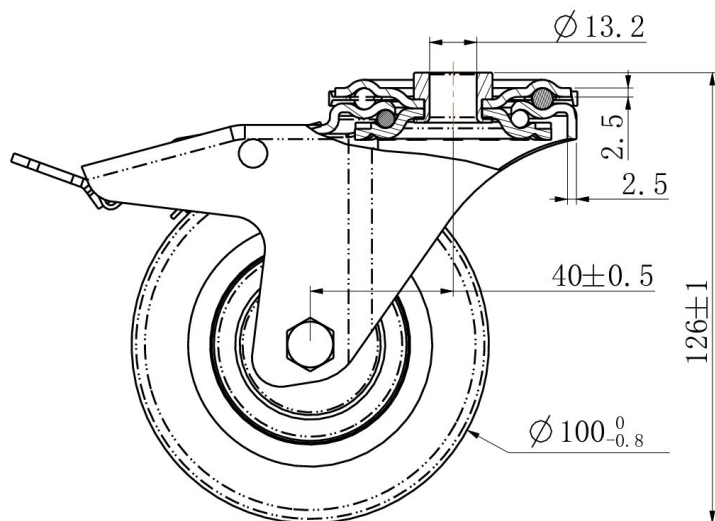
CASTOR BPH35WC100M6N2B32



Product SKU	BPH35WC100M6N2B32
Standard Compliance	DIN EN 12532
Series	M6N2
Fastening	Bolt fastening
Brake and Direction	back brake
Material of the Wheel	polyamide (PA) wheel center
Tread	polyamide (PA) tread
Temperature range	-20°C to +80°C
Wheel Diameter	100mm
Load Capacity	160kg
Total Height	127mm
Width of Tread	36mm
wheel hub Width	40mm
Offset	40mm
Fastening Bolt Hole Diameter	13mm
Swivel Radius	127mm
Wheel Bolt Size	M8
Bushing Diameter	8mm
Wheel Bearing	ball bearing



CASTOR BPH35WC100M6N2B32



TD_BPH35WC100M6N2B32

load capacity

150KG

