

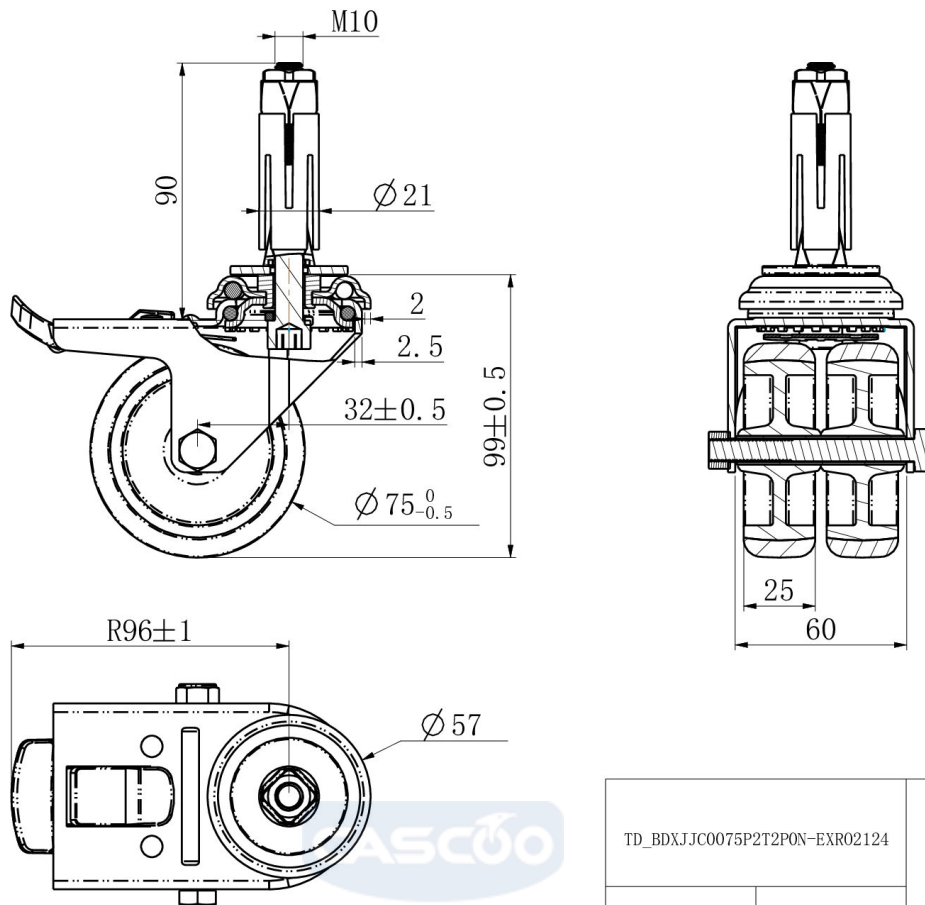
CASTOR BDXJJC0075P2T2P0N



| | |
|-------------------------------------|---------------------------------|
| Product SKU | BDXJJC0075P2T2P0N |
| Standard Compliance | DIN EN 12530 |
| Series | P2T2 |
| Fastening | Bolt fastening |
| Brake and Direction | back brake |
| Material of the Wheel | polypropylene (PP) wheel center |
| Tread | thermoplastic rubber tread |
| Temperature range | -20°C to +60°C |
| Wheel Diameter | 75mm |
| Load Capacity | 100kg |
| Total Height | 100mm |
| Width of Tread | 25mm |
| wheel hub Width | 28mm |
| Offset | 32mm |
| Fastening Bolt Hole Diameter | 11mm |
| Swivel Radius | 96mm |
| Wheel Bolt Size | M8 |
| Bushing Diameter | 10mm |
| Wheel Bearing | plain bearing |
| Rubber Shore | 95° Shore A |



CASTOR BDXJJC0075P2T2P0N



| | | |
|-------------------------------|-------|--|
| TD_BDXJJC0075P2T2P0N-EXR02124 | | |
| load capacity | 100KG | |