

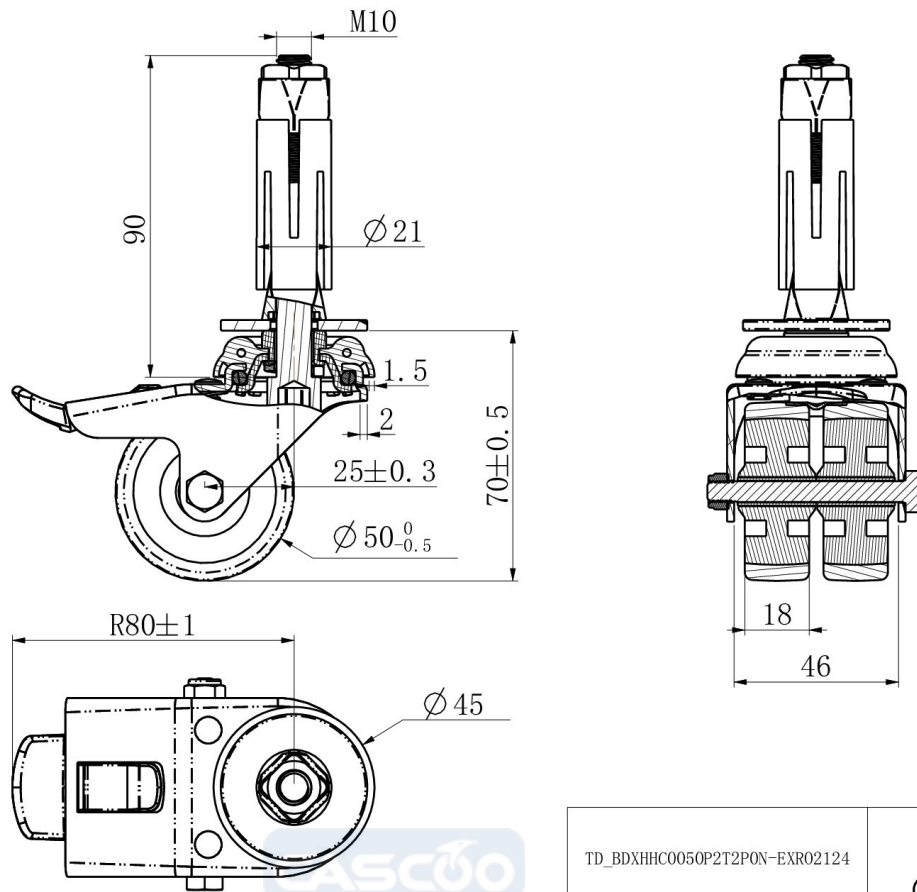
CASTOR BDXHHC0050P2T2P0N




Product SKU	BDXHHC0050P2T2P0N
Standard Compliance	DIN EN 12530
Series	P2T2
Fastening	Bolt fastening
Brake and Direction	back brake
Material of the Wheel	polypropylene (PP) wheel center
Tread	thermoplastic rubber tread
Temperature range	-20°C to +60°C
Wheel Diameter	50mm
Load Capacity	70kg
Total Height	70mm
Width of Tread	19mm
wheel hub Width	44mm
Offset	25mm
Fastening Bolt Hole Diameter	11mm
Swivel Radius	80mm
Wheel Bolt Size	M6
Bushing Diameter	8mm
Wheel Bearing	plain bearing
Rubber Shore	95° Shore A



CASTOR BDXHHC0050P2T2P0N



TD_BDXHHC0050P2T2P0N-EXR02124		
load capacity	70KG	