

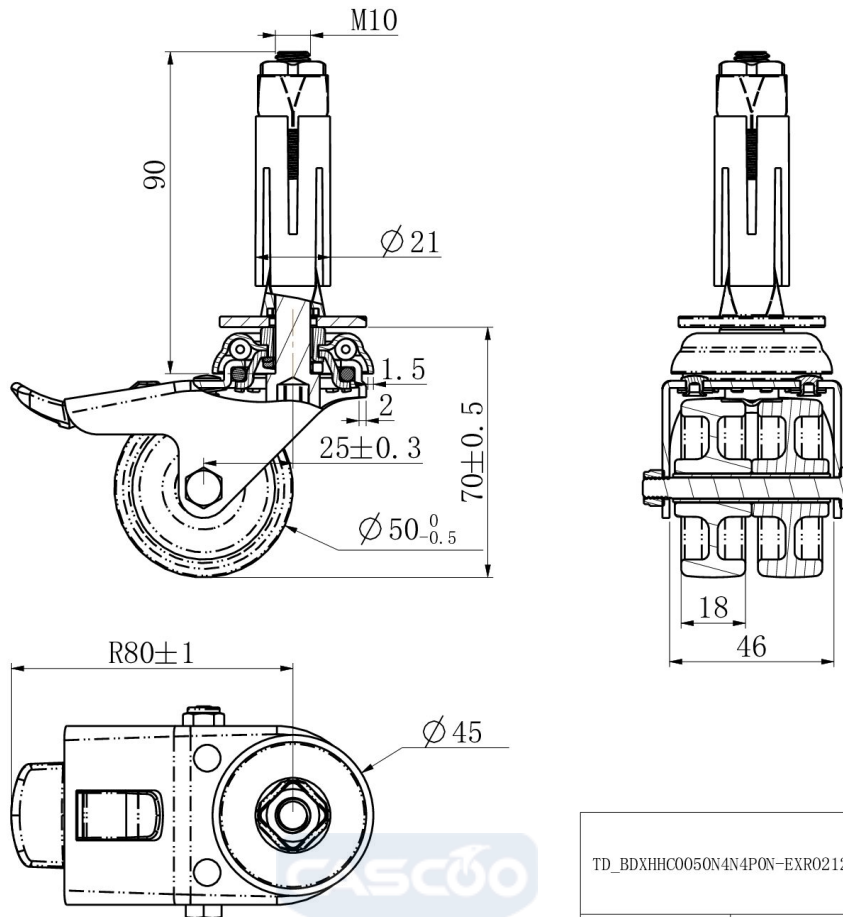
## CASTOR BDXHHC0050N4N4P0N



<b>Product SKU</b>	BDXHHC0050N4N4P0N
<b>Standard Compliance</b>	DIN EN 12530
<b>Series</b>	N4N4
<b>Fastening</b>	Bolt fastening
<b>Brake and Direction</b>	back brake
<b>Material of the Wheel</b>	polyamide (PA) wheel center
<b>Tread</b>	polyamide (PA) tread
<b>Temperature range</b>	-20°C to +60°C
<b>Wheel Diameter</b>	50mm
<b>Load Capacity</b>	70kg
<b>Total Height</b>	70mm
<b>Width of Tread</b>	18mm
<b>wheel hub Width</b>	22mm
<b>Offset</b>	25mm
<b>Fastening Bolt Hole Diameter</b>	11mm
<b>Swivel Radius</b>	80mm
<b>Wheel Bolt Size</b>	M6
<b>Bushing Diameter</b>	8mm
<b>Wheel Bearing</b>	plain bearing



# CASTOR BDXHHC0050N4N4P0N



TD_BDXHHC0050N4N4P0N-EXR02124		
load capacity	70KG	