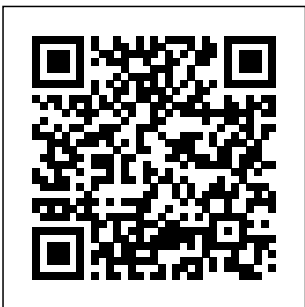


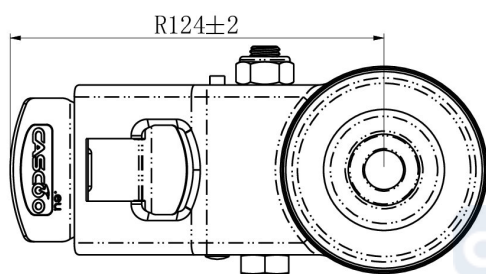
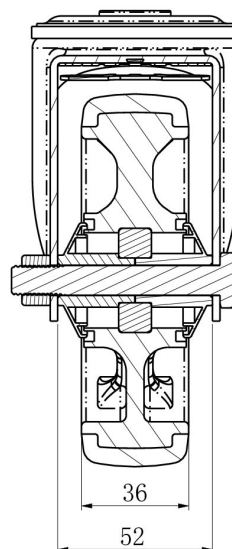
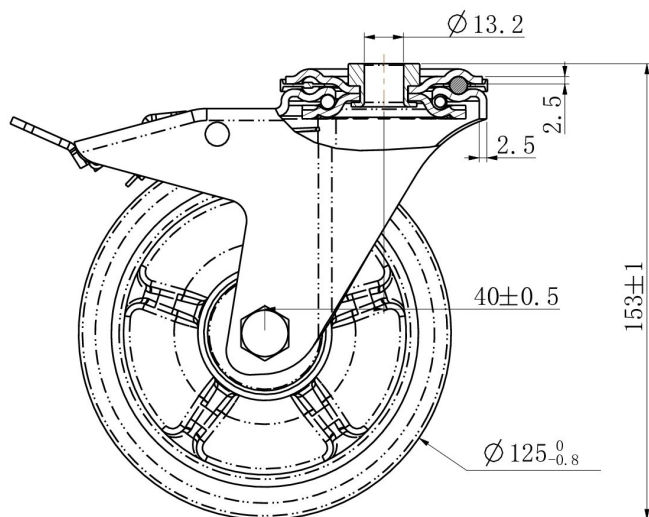
CASTOR BBH85WC125P2G2B32



Product SKU	BBH85WC125P2G2B32
Standard Compliance	DIN EN 12532
Series	P2G2
Fastening	Bolt fastening
Brake and Direction	back brake
Material of the Wheel	polypropylene (PP) wheel center
Tread	thermoplastic rubber tread
Temperature range	-20°C to +60°C
Wheel Diameter	125mm
Load Capacity	160kg
Total Height	154mm
Width of Tread	35mm
wheel hub Width	50mm
Offset	45mm
Fastening Bolt Hole Diameter	13mm
Swivel Radius	127mm
Wheel Bolt Size	M10
Bushing Diameter	10mm
Weight	0.88kg
Wheel Bearing	ball bearing
Rubber Shore	70° Shore A



CASTOR BBH85WC125P2G2B32



TD_BBH85WC125P2G2B32		
load capacity	150KG	