

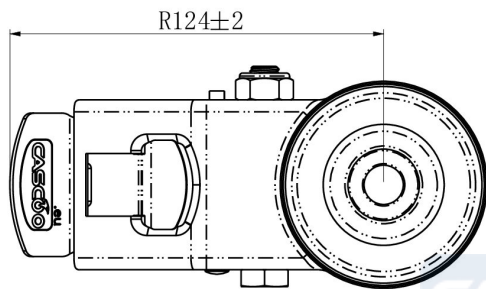
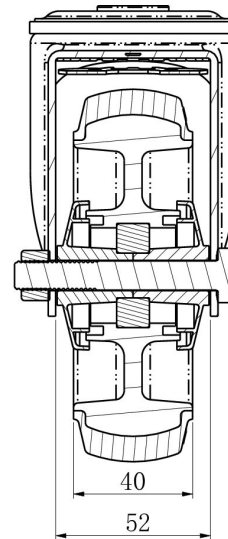
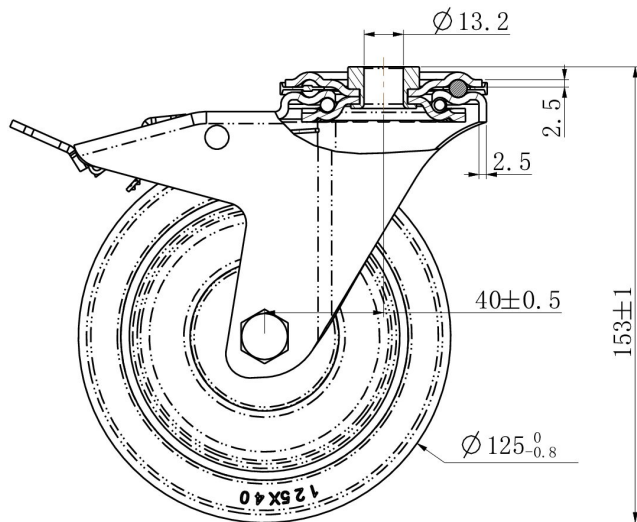
## CASTOR BBH85WC125P2D2B32E



<b>Product SKU</b>	BBH85WC125P2D2B32E
<b>Standard Compliance</b>	DIN EN 12532
<b>Series</b>	P2D2 (ESD)
<b>Fastening</b>	Bolt fastening
<b>Brake and Direction</b>	back brake
<b>Material of the Wheel</b>	polypropylene (PP) wheel center
<b>Tread</b>	thermoplastic rubber tread
<b>Temperature range</b>	-20°C to +60°C
<b>Wheel Diameter</b>	125mm
<b>Load Capacity</b>	120kg
<b>Total Hight</b>	154mm
<b>Width of Tread</b>	40mm
<b>wheel hub Width</b>	50mm
<b>Offset</b>	45mm
<b>Fastening Bolt Hole Diameter</b>	13mm
<b>Swivel Radius</b>	127mm
<b>Wheel Bolt Size</b>	M10
<b>Bushing Diameter</b>	10mm
<b>Weight</b>	0.94kg
<b>Wheel Bearing</b>	ball bearing
<b>Special Features</b>	electrostatic (ESD)



# CASTOR BBH85WC125P2D2B32E



TD_BBH85WC125P2D2B32E		
load capacity	120KG	