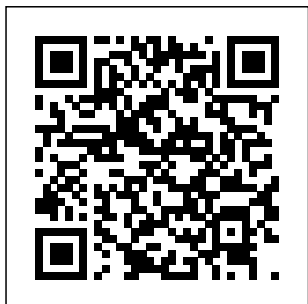


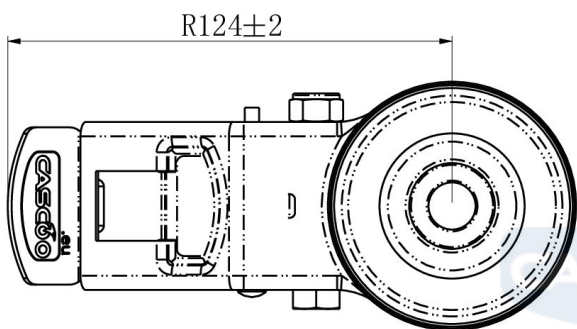
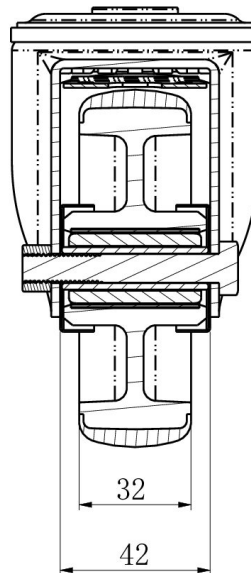
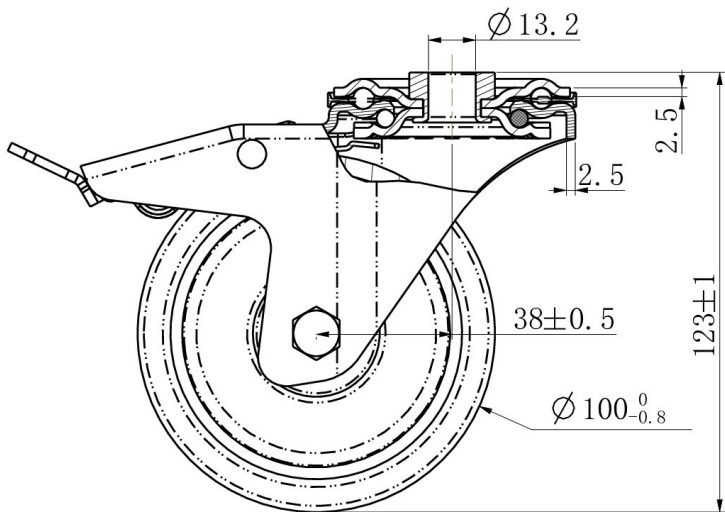
CASTOR BBH35WC100P2W2R1W



Product SKU	BBH35WC100P2W2R1W
Standard Compliance	DIN EN 12532
Series	P2W2
Fastening	Bolt fastening
Brake and Direction	back brake
Material of the Wheel	polypropylene (PP) wheel center
Tread	thermoplastic rubber tread
Temperature range	-20°C to +60°C
Wheel Diameter	100mm
Load Capacity	100kg
Total Height	124mm
Width of Tread	32mm
wheel hub Width	40mm
Offset	40mm
Fastening Bolt Hole Diameter	13mm
Swivel Radius	127mm
Wheel Bolt Size	M8
Bushing Diameter	12mm
Wheel Bearing	roller bearing
Rubber Shore	95° Shore A



CASTOR BBH35WC100P2W2R1W



TD_BBH35WC100P2W2R1W		
load capacity	100KG	