

CASTOR BBH35WC100P2W2P0N

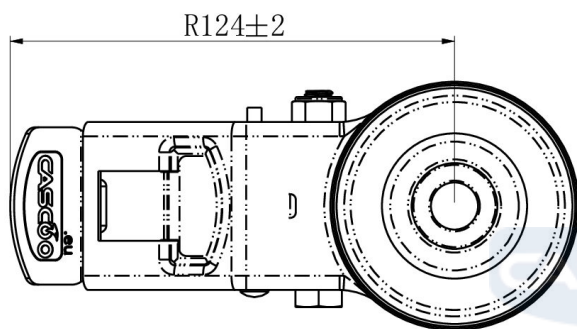
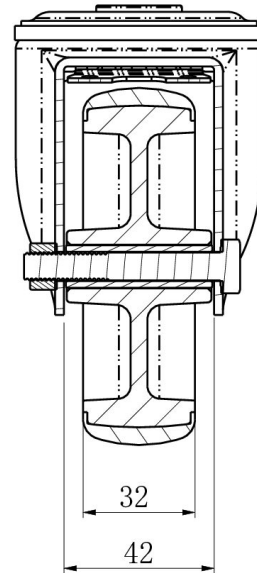
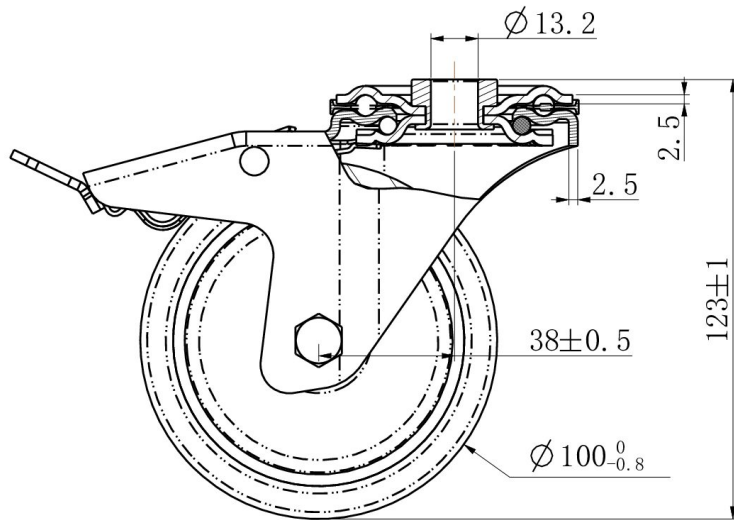


| | |
|-------------------------------------|---------------------------------|
| Product SKU | BBH35WC100P2W2P0N |
| Standard Compliance | DIN EN 12532 |
| Series | P2W2 |
| Fastening | Bolt fastening |
| Brake and Direction | back brake |
| Material of the Wheel | polypropylene (PP) wheel center |
| Tread | thermoplastic rubber tread |
| Temperature range | -20°C to +60°C |
| Wheel Diameter | 100mm |
| Load Capacity | 100kg |
| Total Height | 124mm |
| Width of Tread | 32mm |
| wheel hub Width | 40mm |
| Offset | 40mm |
| Fastening Bolt Hole Diameter | 13mm |
| Swivel Radius | 127mm |
| Wheel Bolt Size | M8 |
| Bushing Diameter | 12mm |
| Weight | 0.67kg |
| Wheel Bearing | plain bearing |
| Rubber Shore | 95° Shore A |





CASTOR BBH35WC100P2W2P0N



| | | |
|----------------------|-------|--|
| TD_BBH35WC100P2W2P0N | | |
| load capacity | 100KG | |