

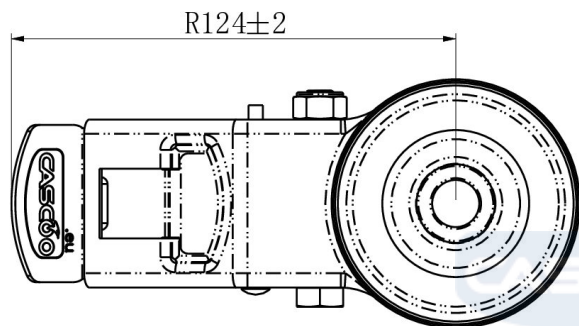
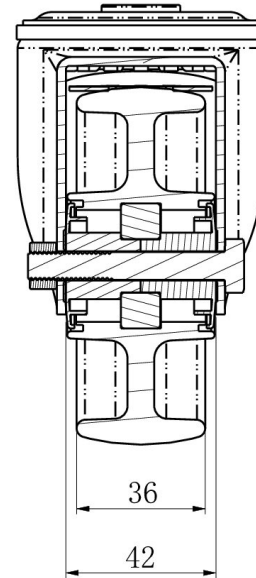
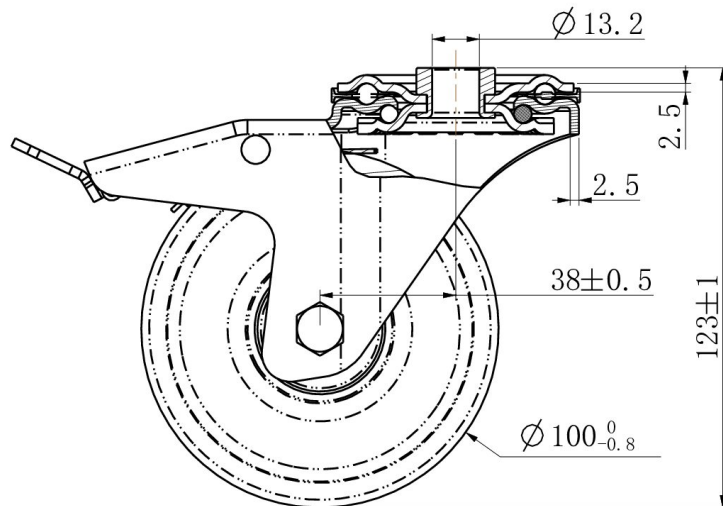
CASTOR BBH35WC100N0N0B30



Product SKU	BBH35WC100N0N0B30
Standard Compliance	DIN EN 12532
Series	N0N0
Fastening	Bolt fastening
Brake and Direction	back brake
Material of the Wheel	polyamide (PA) wheel center
Tread	polyamide (PA) tread
Temperature range	-40°C to +80°C
Wheel Diameter	100mm
Load Capacity	150kg
Total Height	124mm
Width of Tread	36mm
wheel hub Width	40mm
Offset	40mm
Fastening Bolt Hole Diameter	13mm
Swivel Radius	127mm
Wheel Bolt Size	M8
Bushing Diameter	8mm
Wheel Bearing	ball bearing



CASTOR BBH35WC100N0N0B30



TD_BBH35WC100N0N0B30		
load capacity	150KG	