

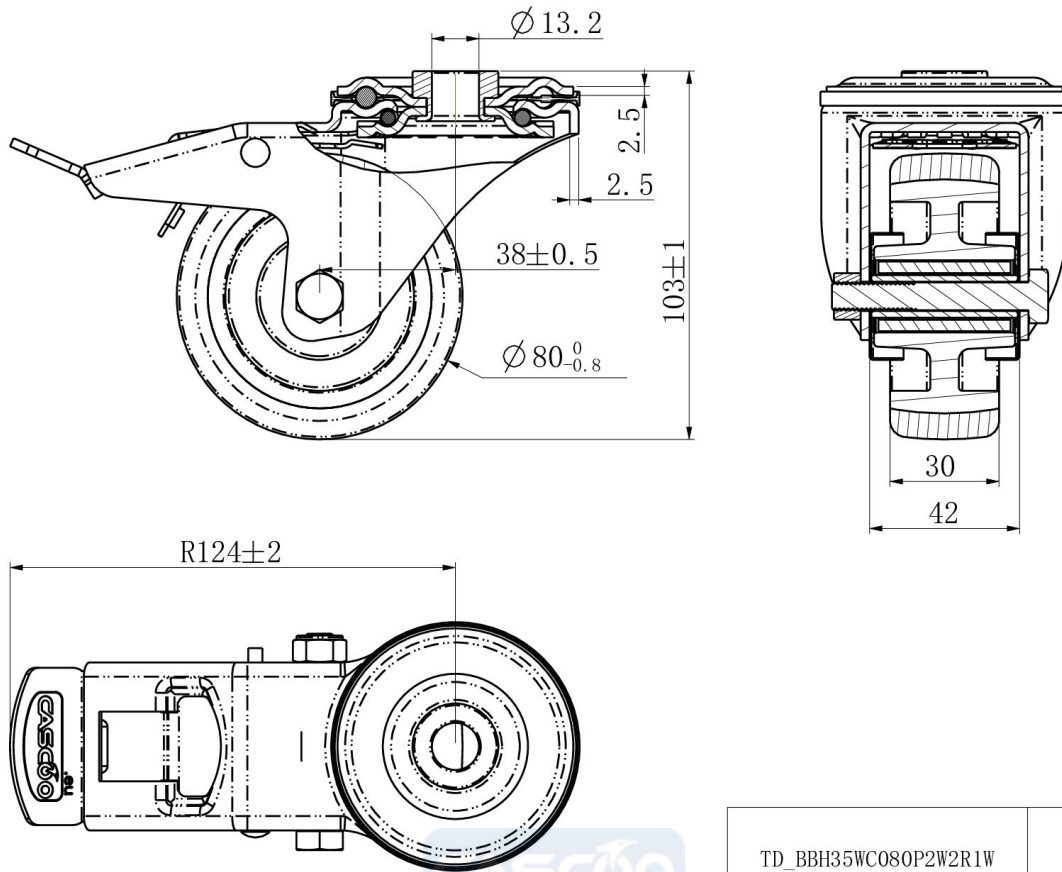
## CASTOR BBH35WC080P2W2R1W




<b>Product SKU</b>	BBH35WC080P2W2R1W
<b>Standard Compliance</b>	DIN EN 12532
<b>Series</b>	P2W2
<b>Fastening</b>	Bolt fastening
<b>Brake and Direction</b>	back brake
<b>Material of the Wheel</b>	polypropylene (PP) wheel center
<b>Tread</b>	thermoplastic rubber tread
<b>Temperature range</b>	-20°C to +60°C
<b>Wheel Diameter</b>	80mm
<b>Load Capacity</b>	80kg
<b>Total Height</b>	104mm
<b>Width of Tread</b>	30mm
<b>wheel hub Width</b>	40mm
<b>Offset</b>	40mm
<b>Fastening Bolt Hole Diameter</b>	13mm
<b>Swivel Radius</b>	127mm
<b>Wheel Bolt Size</b>	M8
<b>Bushing Diameter</b>	12mm
<b>Weight</b>	0.67kg
<b>Wheel Bearing</b>	roller bearing
<b>Rubber Shore</b>	95° Shore A



# CASTOR BBH35WC080P2W2R1W



TD_BBH35WC080P2W2R1W		
load capacity	75KG	