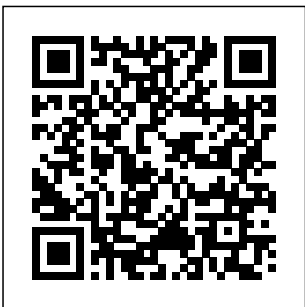


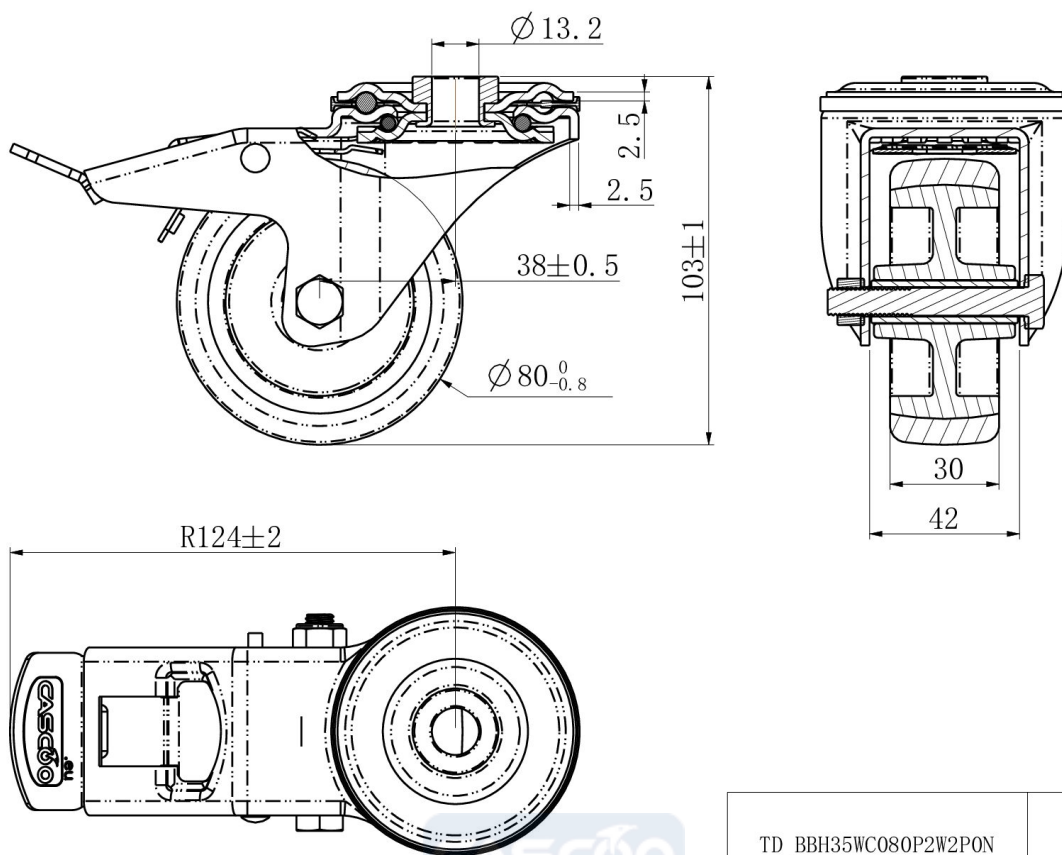
CASTOR BBH35WC080P2W2P0N



Product SKU	BBH35WC080P2W2P0N
Standard Compliance	DIN EN 12532
Series	P2W2
Fastening	Bolt fastening
Brake and Direction	back brake
Material of the Wheel	polypropylene (PP) wheel center
Tread	thermoplastic rubber tread
Temperature range	-20°C to +60°C
Wheel Diameter	80mm
Load Capacity	80kg
Total Height	104mm
Width of Tread	30mm
wheel hub Width	40mm
Offset	40mm
Fastening Bolt Hole Diameter	13mm
Swivel Radius	127mm
Wheel Bolt Size	M8
Bushing Diameter	12mm
Weight	0.67kg
Wheel Bearing	plain bearing
Rubber Shore	95° Shore A



CASTOR BBH35WC080P2W2P0N



TD_BBH35WC080P2W2P0N		
load capacity	75KG	