

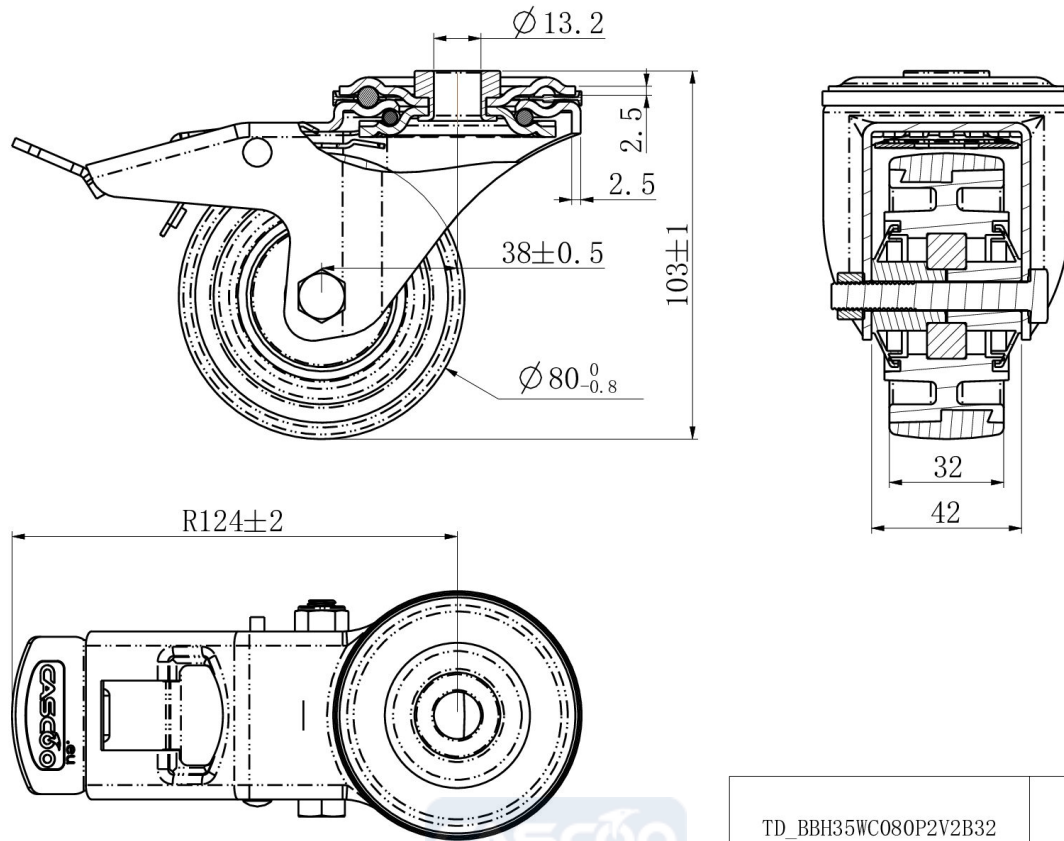
CASTOR BBH35WC080P2V2B32




Product SKU	BBH35WC080P2V2B32
Standard Compliance	DIN EN 12532
Series	P2V2
Fastening	Bolt fastening
Brake and Direction	back brake
Material of the Wheel	polypropylene (PP) wheel center
Tread	thermoplastic rubber tread
Temperature range	-20°C to +60°C
Wheel Diameter	80mm
Load Capacity	80kg
Total Height	104mm
Width of Tread	32mm
wheel hub Width	40mm
Offset	40mm
Fastening Bolt Hole Diameter	13mm
Swivel Radius	127mm
Wheel Bolt Size	M8
Bushing Diameter	8mm
Weight	0.67kg
Wheel Bearing	ball bearing
Rubber Shore	85° Shore A



CASTOR BBH35WC080P2V2B32



TD_BBH35WC080P2V2B32		
load capacity	80KG	