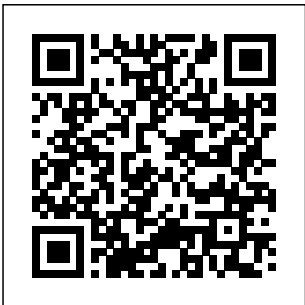


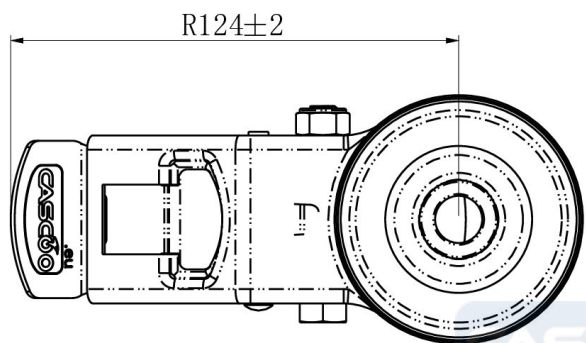
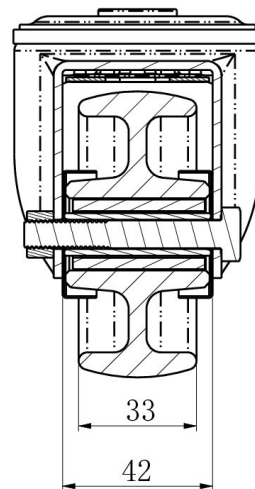
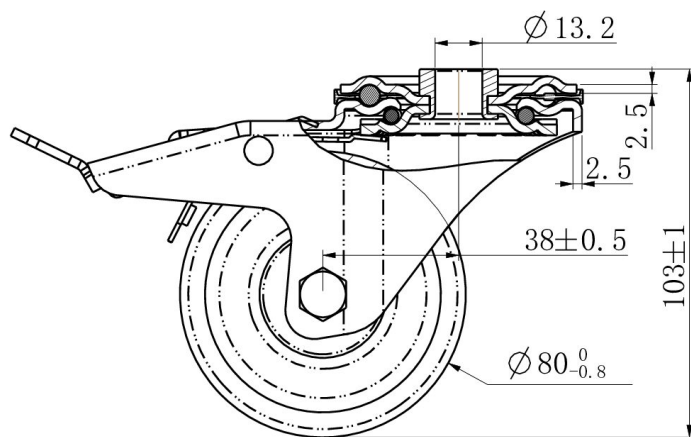
CASTOR BBH35WC080N0N0R1W



Product SKU	BBH35WC080N0N0R1W
Standard Compliance	DIN EN 12532
Series	N0N0
Fastening	Bolt fastening
Brake and Direction	back brake
Material of the Wheel	polyamide (PA) wheel center
Tread	polyamide (PA) tread
Temperature range	-40°C to +80°C
Wheel Diameter	80mm
Load Capacity	130kg
Total Height	104mm
Width of Tread	34mm
wheel hub Width	40mm
Offset	40mm
Fastening Bolt Hole Diameter	13mm
Swivel Radius	127mm
Wheel Bolt Size	M8
Bushing Diameter	12mm
Weight	0.66kg
Wheel Bearing	roller bearing



CASTOR BBH35WC080N0N0R1W



TD_BBH35WC080N0N0R1W		
load capacity	130KG	