

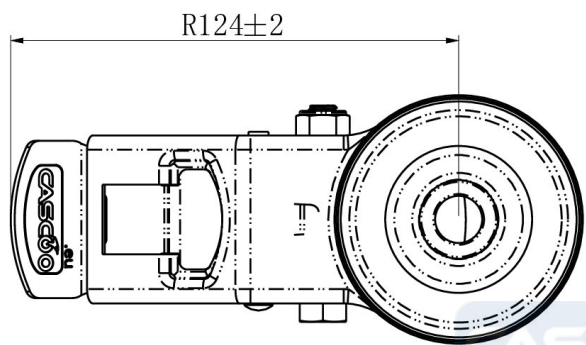
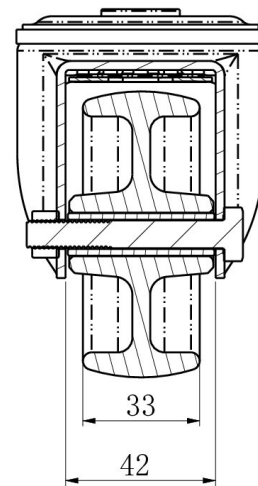
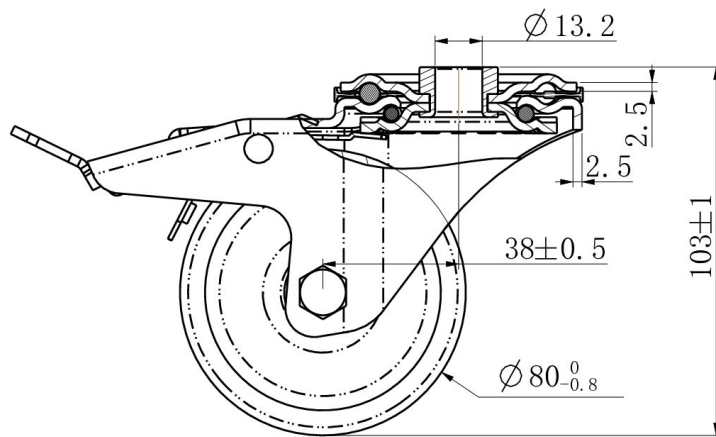
CASTOR BBH35WC080N0N0P0N



Product SKU	BBH35WC080N0N0P0N
Standard Compliance	DIN EN 12532
Series	N0N0
Fastening	Bolt fastening
Brake and Direction	back brake
Material of the Wheel	polyamide (PA) wheel center
Tread	polyamide (PA) tread
Temperature range	-40°C to +80°C
Wheel Diameter	80mm
Load Capacity	130kg
Total Hight	104mm
Width of Tread	34mm
wheel hub Width	40mm
Offset	40mm
Fastening Bolt Hole Diameter	13mm
Swivel Radius	127mm
Wheel Bolt Size	M8
Bushing Diameter	12mm
Weight	0.63kg
Wheel Bearing	plain bearing



CASTOR BBH35WC080N0N0P0N



TD_BBH35WC080N0N0P0N		
load capacity	130KG	